

In this Issue:

- Product In Focus
- New Products
- Supersessions
- Getting Technical
- Staff Profile
- Advertising

Bullseye June 2016

🔍 Product In Focus - Suzi Coils by



E-10746



E-10744



US Federal Dept. of Transport Standards
Approval - DOT BB1687 A1/20D

- Euclid Suzi Coils with hang sell tags
- Meets current US industry standards
- Long and short tail available

**Call us or your nearest
Meritor stockist today.**



New Products & Supersessions

New Products

Part Number	Description
1199J3728	Spacer Plate
1218S123	Hold Down Clip
1229X1168	Snap Ring
A103299R5556	Bkt Chamber
A3211V3194	Brake Spider
N141	Nut
WA14	Lockwasher
WA15K	Lockwasher
KIT4848	Kit Forged IAD Assy RP23160
KIT4849	Kit Forged IAD Case, Fork & Collar Assy RP23160
R201608	King Pin Kit - MFS66 (EZY Steer)
18N 4 4351 1X	End Yoke Assy
E-1250	Tool Bushing Removal
31427-00	Hubcap-PSI
31982-01	Parts Assortment
H2200-02	Plug-Thermalert
FS6262	Air Spring replaces 21227742 for the double stud application (bottom piston). Please note: 21227742 is still available as a single stud application (bottom piston)
17N 4 9001X	End Yoke "17N Full Round 2" X 39 Spline"
18N 4 2361X	End Yoke "18N Full Round 2.42" X 18 Spline"
17N 4 8551X	End Yoke "17N Full Round 2.28" X 44 Spline"
18N 4 4351X	End Yoke "18N Full Round 2.37" X 46 Spline"

Supersessions






Part Number	Description
A5333E135A	Hub and Drum Assemblies REP BY A3333P4722
A6333E135A	Hub and Drum Assemblies REP BY A4333P4722
A11333E135A	Hub and Drum Assemblies REP BY A9333P4722
A12333E135A	Hub and Drum Assemblies REP BY A10333P4722

All parts displayed in New Products & Supersessions will be available for immediate ordering. Lead times apply for the listed items. Not all parts are available to Independent Customers. Please contact Meritor Customer Service on (03) 8353 6050 for further information. For full list of supersessions, [CLICK HERE](#)



Getting Technical - Modified Range 160 Series Front & Rear Diff-Lock Ready Carriers

Prefix GAWR Series Ratio
MP 23 160 430

	OLD SYSTEM	OLD PREFIX		NEW PREFIX	NEW SYSTEM
	FORWARD REAR NON DIFF-LOCKED	RP	→	MP	DIFF-LOCK READY
	FORWARD REAR DIFF-LOCKED	RPL	→	MPL	= MP + KIT2663 DIFF LOCKED
	REAR REAR NON DIFF-LOCKED	RR	→	MR	DIFF-LOCK READY
	REAR REAR DIFF-LOCKED	RRL	→	MRL	= MR + KIT2663 DIFF LOCKED

Previous Range

Current Range
(Parts Starting with M)

With Meritor's upgrade to Diff Lock Ready carriers (for 160 carriers only), you effectively reduce your carrier stock hold from 4 lines to just 2 - **Diff Lock Ready FWD and REAR**. To make Diff Locked carriers in your workshop, just install KIT2663 as suggested above.

KIT2663 Installation instructions can be found here: <http://graphicvillage.org/meritor/mm5L.pdf>

Optionally, you can always purchase ready built Diff Locked FWD or REAR carriers from Meritor.

For further clarification, please contact our Customer Service Tech Support on 03 8353 6050.





Bullseye June 2016



Getting Technical - 160 Series Front & Rear Diff-Lock Ready Carriers

DCDL READY 160 SERIES

(DCDL: DRIVER CONTROLLED DIFFERENTIAL LOCK - a.k.a. Diff-Lock)

Meritor HVS Aftermarket Australia has upgraded its 160 Series Carrier lineup in late 2015 to provide driver controlled differential lock (DCDL) readiness as a standard option. These upgraded carriers have replaced the previous non DCDL and DCDL carriers.

Meritor Aftermarket has aligned to current carrier specification used by our Australian production plant. This ensures that the replacement carrier has all the updates being used in current production.

The new 160 carrier series includes the Dowels and interface Gasket, improving sealing between the housing and the carrier, avoiding the need of silicon at installation.

Meritor 160 carriers will come machined for DCDL, and the internal components have been upgraded to allow easy, low cost conversions at the Dealership / Workshop, or before dispatch at Meritor's Melbourne facility.

A DCDL ready conversion kit (KIT 2663) is available through our normal service parts distribution channels and are available now.

Part number: KIT2663



This product upgrade enhances the convenience and flexibility for your customers, as well as translating into savings for your inventory holding. Now, you can choose to carry one line of 160 carriers, instead of two.

Please be assured that the new upgraded carriers will continue to offer the same quality and reliability in the market.

**The upgraded Meritor 160 series carriers are available now.
Meritor will continue to sell the R-series carriers until stock runs out.**



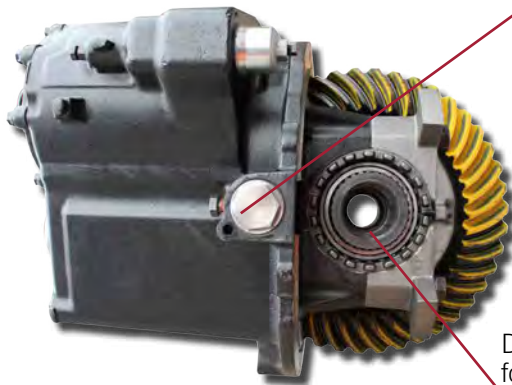


Getting Technical - 160 Series Front & Rear Diff-Lock Ready Carriers

DCDL READY 160 SERIES IDENTIFICATION OF DCDL READY FRONT AND REAR CARRIERS

Removable plugs for fitting
DCDL Cylinder and Switch.

FRONT (Diff-Lock Ready):



REAR (Diff-Lock Ready)



Diff Lock Ready Hemisphere
for easy fitment of DCDL collar.



Close up view of Front and Rear Diff lock Ready components.

FRONT (Diff-Lock Ready) with BYPASS - MP/MPL 23/160 Carriers Only



Close up view of the By-Pass Plug.

Diff unit is ready to install oil by-pass line, if required.





Employee Profile - Samantha Salpighidis

Role at Meritor: Financial Analyst
Year Joined: 2011

What is your background in Finance?

I started working in Finance at a telecommunications company. First, as an Accounts Receivable Officer and then Credit Controller for approximately 2 years. With the same company, I moved into Accounts Payable and then finally into an Assistant Accountant role. I left them in 2011, did contract work as a Finance Manager for a law firm for 2 months before starting my role at Meritor.

What are your main job responsibilities?

My main responsibilities are analysing the profit and loss for both of the Meritor Australia sites. This requires analysing the sales and cost of sales, departmental expenses and labour and burden expenses. I also prepare and present the financial reports for the Management Team on a weekly and monthly basis.

What do you enjoy most about your role?

I really enjoy the different challenges associated with this role as I am not doing the same tasks each day. I am always learning new aspects of the business and this gives me the opportunity to work with the whole team at Meritor.

What's your biggest challenge in this role?

As an Analyst, it is my responsibility to assist departmental managers to have a sound understanding of their departmental financial performance as well as the total financial performance of the business. As such, regular and *ad hoc* reports are frequently requested by managers and this requires good time management skills.

What are your interests outside work?

Although I rarely get time to do these things anymore since I now have a 2 year old son, my interests outside work have always been water skiing, jet skiing, swimming and pretty much anything to do with relaxing in the sun and water. My main interests now since becoming a mum are going to the park and watching cartoons ☺



I really enjoy the different challenges associated with this role as I am not doing the same tasks each day. I am always learning new aspects of the business and this gives me the opportunity to work with the whole team at Meritor.



Advertising

Don't forget to check out our latest advertising on Brake Pad Sets and Wheel End & Trailer Suspension Parts in the next editions of Big Rigs and Australian Diesel Mechanic Magazine!

**Quality Assured Brake Pads.
We Put Our Stamp On It.**

- ECE R90 Approved
- Quality Tested
- Excellent Braking Performance
- Fitting Kits Provided
- Comprehensive Range

MDP3171K
M520
90R - 01752/6489
42/11

MERITOR
ALLFIT

Pads for the latest calipers are available now. Call us!

For more information on Meritor's comprehensive range of AllFit braking products, please contact your local sales representative or call customer service on 03 8353 6050 or visit www.meritorpartsonline.com

Big Rigs

**For All Your Wheel End &
Trailer Suspension Needs**

Meritor is the One Stop Shop.

For more information on Meritor's comprehensive range of wheel end and suspension trailer products, please contact your local sales representative or call customer service on 03 8353 6050 or visit www.meritorpartsonline.com

Australian Diesel Mechanic Magazine