

PIL #22-002

# CONVERSION OF RPL 5” SLIP PART NUMBERS TO 3.5”

Date: **May 2022**Subject: **Conversion of RPL 5” Slip Part Numbers to 3.5”**Models: **RPL25SD (Severe Duty) drivelines (25RHS044 replaced by 25RHS022)****Product Information Letter #22-002****This Product Information Letter supersedes PIL #15-004 released in May 2015.**

Meritor Australia changed back to RPL 3.5” slip for production from October 2014 for Kenworth. As a result of this change, Meritor Australia will not be supplying RPL 5” slip to Kenworth unless specifically requested.

**Aftermarket Support**

The method used in the example below can be used to determine the equivalent 3.5” slip assembly to replace an existing 5” slip assembly in service.

**Example:** A 3.5” slip assembly replacement is required for an existing 5” slip assembly, part number 25RHS044C535H.

**Calculation 1:**

To determine the assumed operating length\* (A) for 25RHS044C535H, where ‘T’ refers to tube length (Ref FIG 1- 5” Slip)

$$\begin{aligned} A &= T + 17.9" + 2.5" \\ &= 53.5" + 17.9" + 2.5" \\ &= 73.9" \end{aligned}$$

**Calculation 2:**

To determine the Tube Length (T) required for the 3.5” driveline assembly based on the assumed operating length of 25RHS044C535H (Ref FIG 2 – 3.5” Slip)

$$\begin{aligned} T &= A - 16.4" - 1.75" \\ \text{From calculation 1, } A &= 73.9" \\ T &= 73.9" - 16.4" - 1.75" \\ &= 55.75" \end{aligned}$$

**Meritor Heavy Vehicle Systems**  
70 Berkshire Rd, Sunshine North, VIC 3020 Australia

PIL #22-002

# CONVERSION OF RPL 5" SLIP PART NUMBERS TO 3.5"

## Selecting the Equivalent 3.5" Part Number

The RPL 3.5" Slip Assembly part numbers are generally available at every 0.2" tube length. As per the calculation method the required part number is 25RHS022C557H and this part number is available, if it is not available then select the nearest available part number, rounding up the length calculated (55.8" in this example if 55.7" was not available).

**Result:** The replacement part number for 25RHS044C535H is 25RHS022C557H

## RPL 5" Slip Assembly Base Family

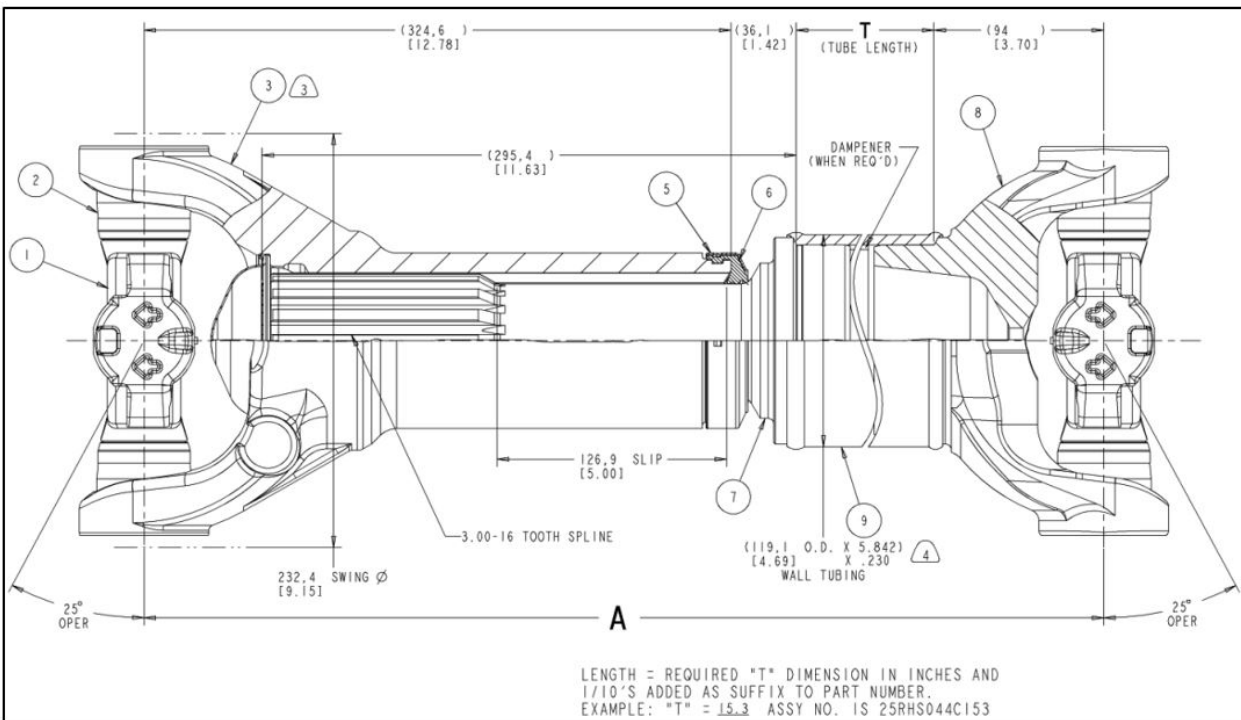


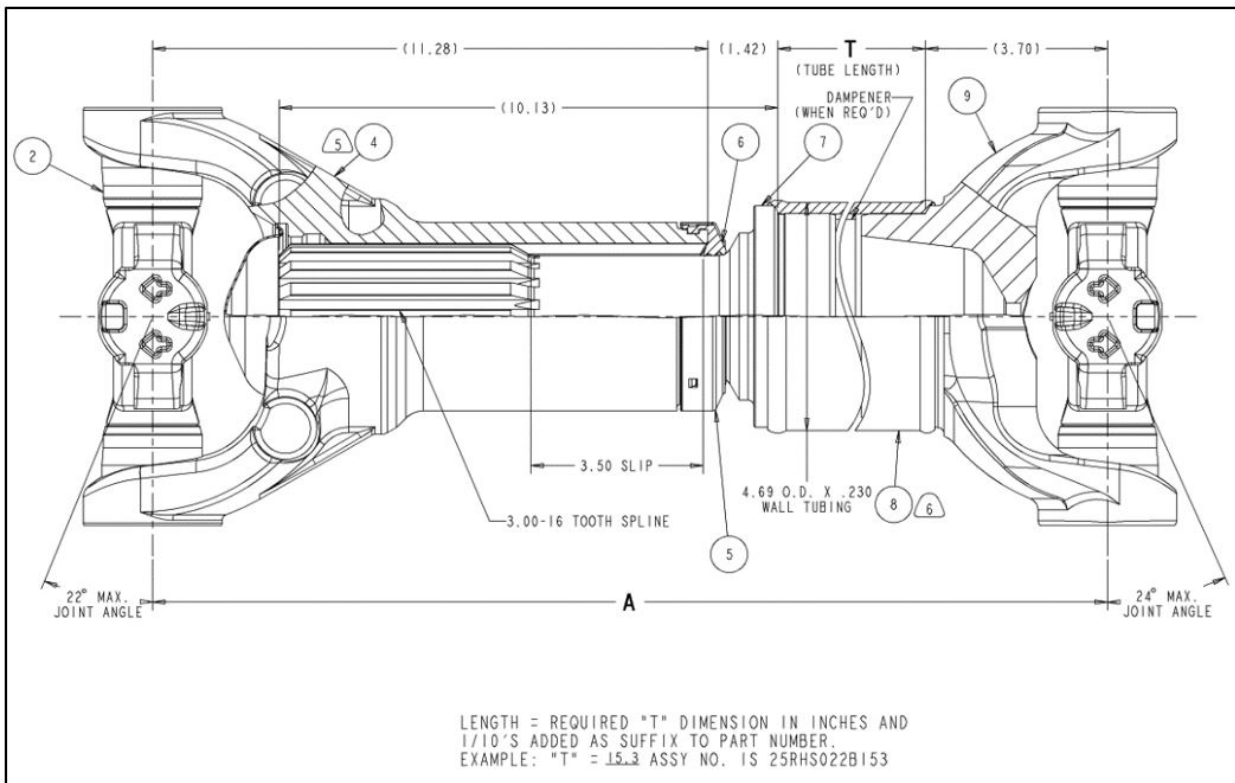
FIGURE 1.

**Meritor Heavy Vehicle Systems**  
 70 Berkshire Rd, Sunshine North, VIC 3020 Australia

PIL #22-002

# CONVERSION OF RPL 5" SLIP PART NUMBERS TO 3.5"

## RPL 3.5" Slip Assembly Base Family



**FIGURE 2.**

**\*Note:** Assumed operating length is calculated at the mid-slip position and it may not be the operating length approved by Kenworth. Please check with Kenworth for the specific vehicle/chassis operating length.

For any questions or for any further information relating to this document, please contact a Meritor® Australia representative on +61 (03) 9300 5200.

Issued by Product Engineering  
Meritor HVSA Ltd

**Meritor Heavy Vehicle Systems**  
70 Berkshire Rd, Sunshine North, VIC 3020 Australia