

Date: August 2017
Subject: Introduction of new brake chamber brackets for Kenworth Australia
Models: P Brakes on Rear Drive Axles

Dear Customer,

As a continuous improvement initiative, Meritor Australia is pleased to introduce new brake chamber brackets (camshaft tube) on P brakes to suit Kenworth’s Airglide suspension.

The new chamber brackets have a different Chamber Bracket Angle (CBA), which provides improved ground clearance for the brake chambers when installed on the axle. (Refer figure 2 on page 2). With this change, the P type and Q-Plus brakes now have the same CBA for Airglide suspension.

Axles supplied from 31st July 2017 onwards will feature the new chamber brackets and brake assembly part numbers listed in Table 1.

Axle	Brake Position	Slack Adjuster Type	New Brakes	New Brackets	CBA (Degree)
Forward Rear	Left	Manual	BG 1657 5510	W 8 3299P6256	56
	Right		BG 1657 5509	W 8 3299Q6257	
Rear Rear	Left		BG 1657 5507	W 9 3299Q6257	36
	Right		BG 1657 5508	W 9 3299P6256	
Forward Rear	Left	Automatic	BG 1657 5514	W 8 3299P6256	56
	Right		BG 1657 5513	W 8 3299Q6257	
Rear Rear	Left		BG 1657 5511	W 9 3299Q6257	36
	Right		BG 1657 5512	W 9 3299P6256	

Table 1: New part numbers to suit Airglide Suspension

Axle	Brake Position	Slack Adjuster Type	Old Brakes	Old Brackets	CBA (Degree)
Forward Rear	Left	Manual	BG 1657 727A	C53 3299D3046	64
	Right		BG 1657 726A	C53 3299E3047	
Rear Rear	Left		BG 1657 724A	V45 3299Q6257	46
	Right		BG 1657 725A	V45 3299P6256	
Forward Rear	Left	Automatic	BG 1657 802A	C53 3299E3047	64
	Right		BG 1657 803A	C53 3299D3046	
Rear Rear	Left		BG 1657 800A	V45 3299Q6257	46
	Right		BG 1657 801A	V45 3299P6256	

Table 2: Old part numbers specified for Airglide Suspension

Gross Axle Weight Rating (GAWR), performance and service procedures are not affected by this change. For service procedures, please refer to maintenance manual MM-4, which is available from the Literature on Demand section at www.meritor.com

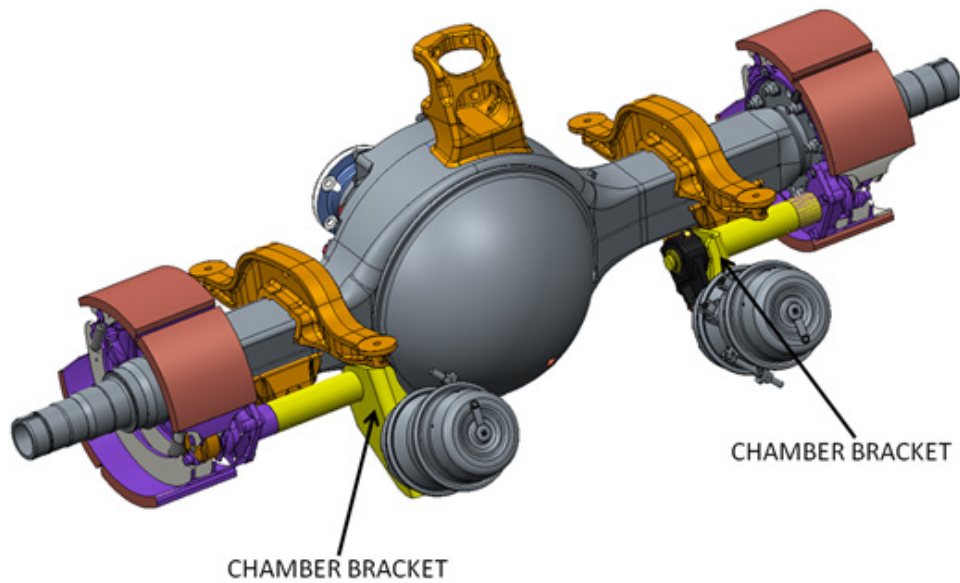


Figure 1: Axle and Brake Assembly

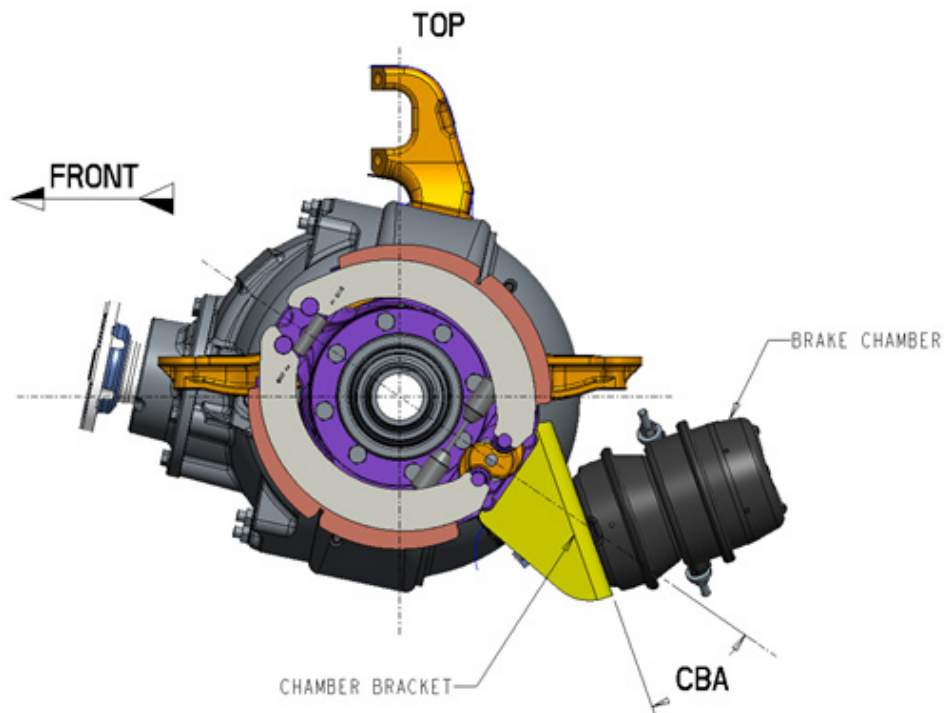


Figure 2: Chamber bracket Angle Illustration

For any questions relating to the above, please contact a Meritor® Australia representative on +613-9300-5200.