

AUTO SLACK ADJUSTER



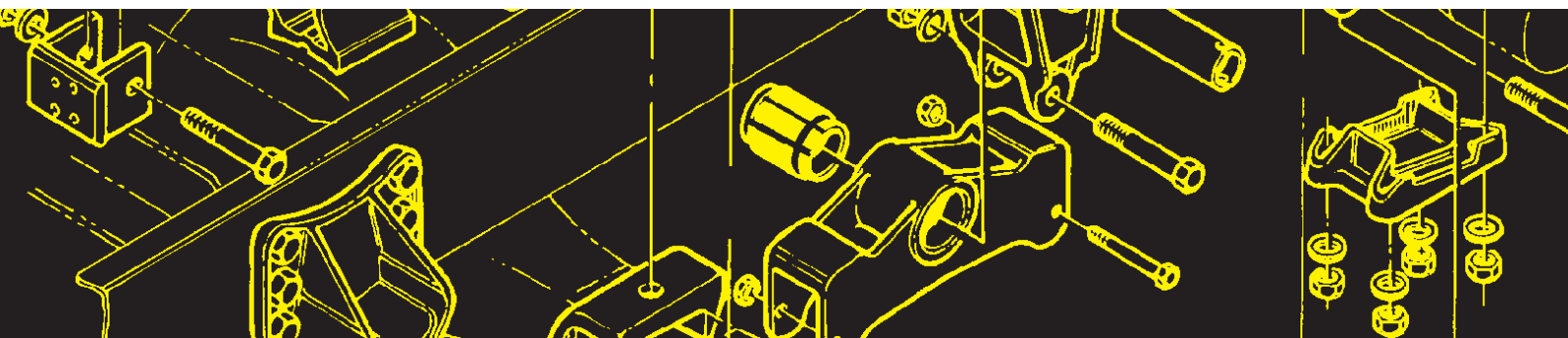
TRUST MATTERS.

COMMON AUTOMATIC SLACK ADJUSTERS

Euclid Part Number	Cross Reference	Spline Dia. / No. Teeth	Lever Length	Clevis Type	Clevis Thread	Application Guide
E-6991B	MK21103S	1-1/2" - 10	5" - 6"	Straight	5/8" - 18	Bendix/Eaton/Meritor/Spicer brakes
E-6992B	MK21102S	1-1/2" - 10	5 1/2" - 6 1/2"	Straight	5/8" - 18	Bendix/Eaton/Meritor/Spicer brakes
E-6993B	MK22103S	1-1/2" - 28	5" - 6"	Straight	5/8" - 18	Eaton/Meritor/Spicer brakes
E-6994B	MK22102S	1-1/2" - 28	5 1/2" - 6 1/2"	Straight	5/8" - 18	Eaton/Meritor/Spicer brakes
E-6995B	MK23103S	1-5/8" - 37	5" - 6"	Straight	5/8" - 18	Fruehauf brakes
E-6996B	MK23102S	1-5/8" - 37	5 1/2" - 6 1/2"	Straight	5/8" - 18	Fruehauf brakes



Euclid® High-Quality All-Makes Parts are designed and engineered for trusted performance with exceptional quality and value for independent distributors and their customers. Euclid is an established brand that customers have trusted for over 75 years. Euclid parts are tested for performance to sure they live up to their name. They deliver exceptional quality and value for commercial vehicles that are in the second or third stages of ownership. Euclid. The Most Trusted Name In Truck Parts.



AUTO SLACK ADJUSTER



TRUST MATTERS.

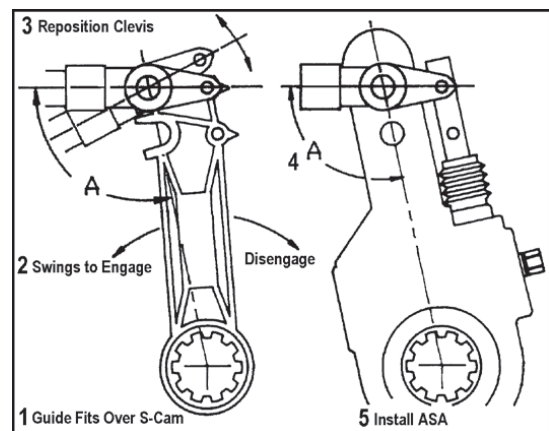
FEATURES & BENEFITS

- Clearance sensing
- Link rod actuation
- Adjust on return stroke
- Easy manual adjustment
- Extra grease sealing

- Fewer part numbers for full coverage;
 - Less Confusion
 - Reduced Inventory
- User Friendly Installation Guide
 - Included in each kit
- Corrosion Resistant 'E' Coating

INSTALLATION GUIDE

1. Guide fits on the S-Cam before Automatic Slack Adjuster is installed.
2. Installation guide easily swings to engage clevis pin.
3. Reposition clevis until holes line up with guide.
4. Guide indicates exact set up angle "A".
5. Automatic Slack Adjuster is now installed without excessive manual adjustment that wears adjuster components.



Product models, brands, names and trademarks depicted herein are the property of their respective owners and, except where otherwise indicated, are not in any way associated with Meritor Heavy Vehicle Systems, LLC, or any parent or affiliate, thereof.